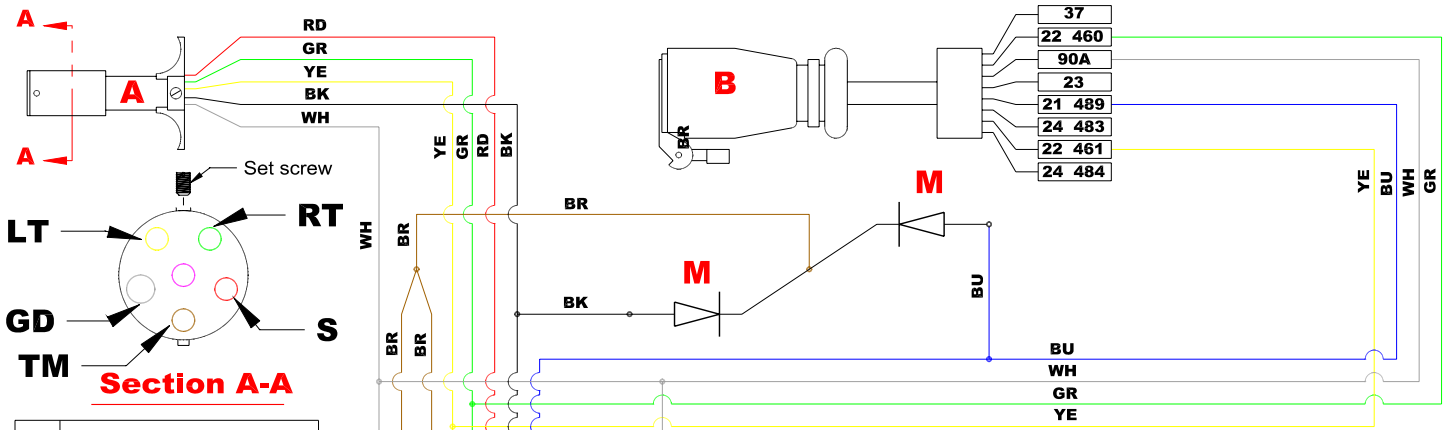


# 11M NSW RIB Non-articulating Air Transportable Wiring Diagram, 12V & 24V.



Pin	CIRCUIT
GD	Common Negative.
TM	Tail, Clearance, & Marker.
LT	Left Hand Turn Signal.
RT	Right Hand Turn Signal.
S	Stop

COMPONENTS	
<b>A</b>	<b>6 - Pin 12V Plug.</b>
<b>B</b>	<b>12-Pin NATO 24V Plug</b>
<b>C</b>	<b>Lamp, Yellow Marker 10-30V</b>
<b>D</b>	<b>Lamp, Yellow Clearance 10-30V</b>
<b>E</b>	<b>Lamp, Red Clearance 10-30V</b>
<b>F</b>	<b>Lamp, Red Marker 10-30V</b>
<b>G</b>	<b>Lamp, License 12V</b>
<b>H</b>	<b>Lamp, License 24V</b>
<b>I</b>	<b>Lamp, I.D. 10-30V</b>
<b>J</b>	<b>Lamp, Stop/Run 10-30V</b>
<b>K</b>	<b>Lamp, Right Turn/Run 10-30V</b>
<b>L</b>	<b>Lamp, Left Turn/Run 10-30V</b>
<b>M</b>	<b>Diode, 8 amp @ 30V</b>

Wire Color Code.	
WH	White
BK	Black
BR	Brown
BU	Blue
GR	Green
YE	Yellow
RD	Red
OR	ORANGE

