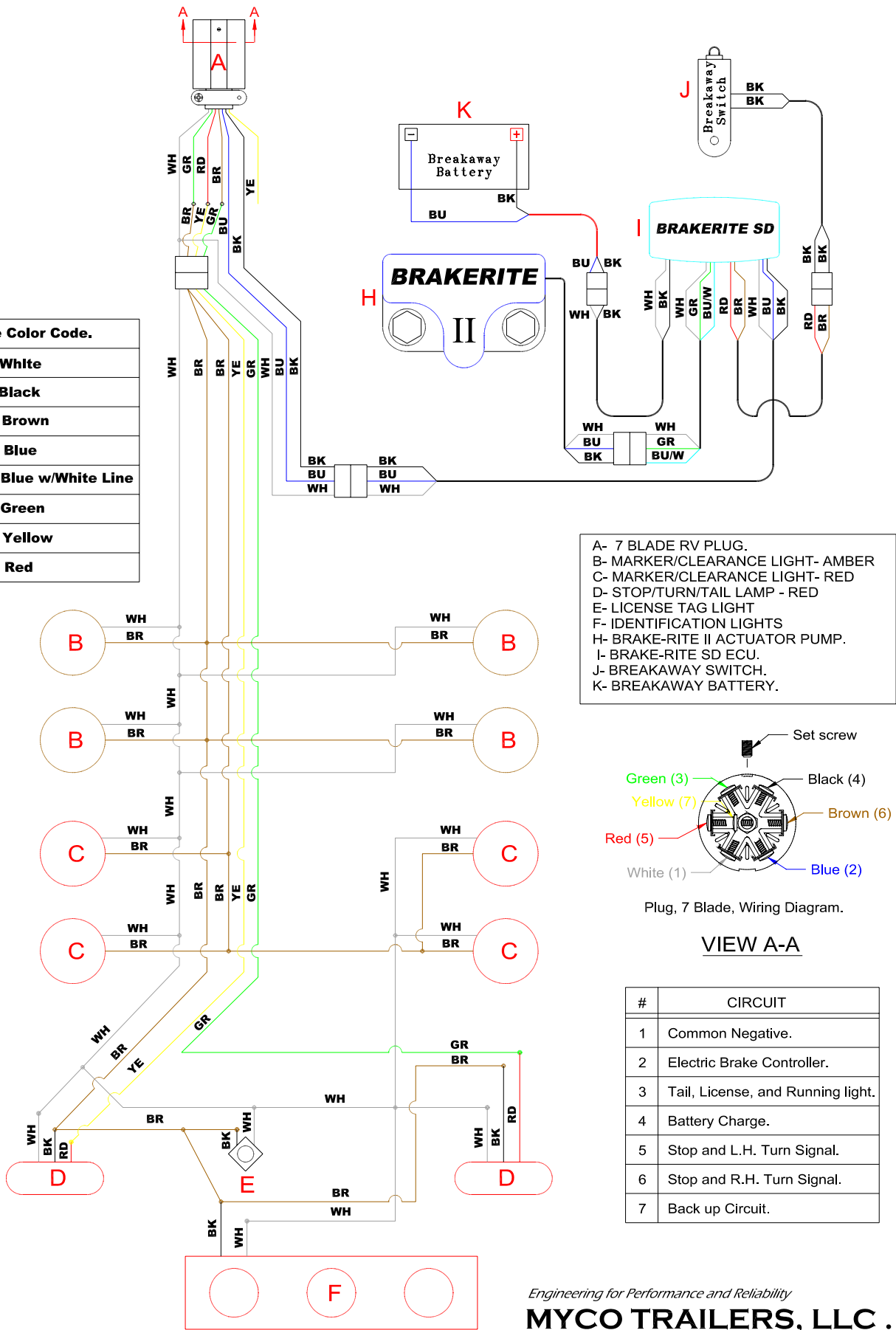
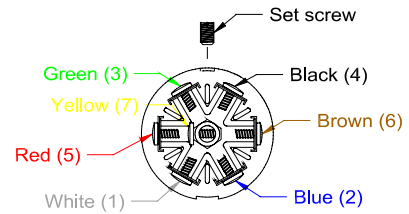


# STANDARD BRAKE-RITE ELECTRIC/HYDRAULIC TRAILER WIRING DIAGRAM GROUNDLESS WITH 7-BLADE RV PLUG. January 2008.

Wire Color Code.	
WH	White
BK	Black
BR	Brown
BU	Blue
BU/W	Blue w/White Line
GR	Green
YE	Yellow
RD	Red



- A- 7 BLADE RV PLUG.
- B- MARKER/CLEARANCE LIGHT- AMBER
- C- MARKER/CLEARANCE LIGHT- RED
- D- STOP/TURN/TAIL LAMP - RED
- E- LICENSE TAG LIGHT
- F- IDENTIFICATION LIGHTS
- H- BRAKE-RITE II ACTUATOR PUMP.
- I- BRAKE-RITE SD ECU.
- J- BREAKAWAY SWITCH.
- K- BREAKAWAY BATTERY.



Plug, 7 Blade, Wiring Diagram.

### VIEW A-A

#	CIRCUIT
1	Common Negative.
2	Electric Brake Controller.
3	Tail, License, and Running light.
4	Battery Charge.
5	Stop and L.H. Turn Signal.
6	Stop and R.H. Turn Signal.
7	Back up Circuit.