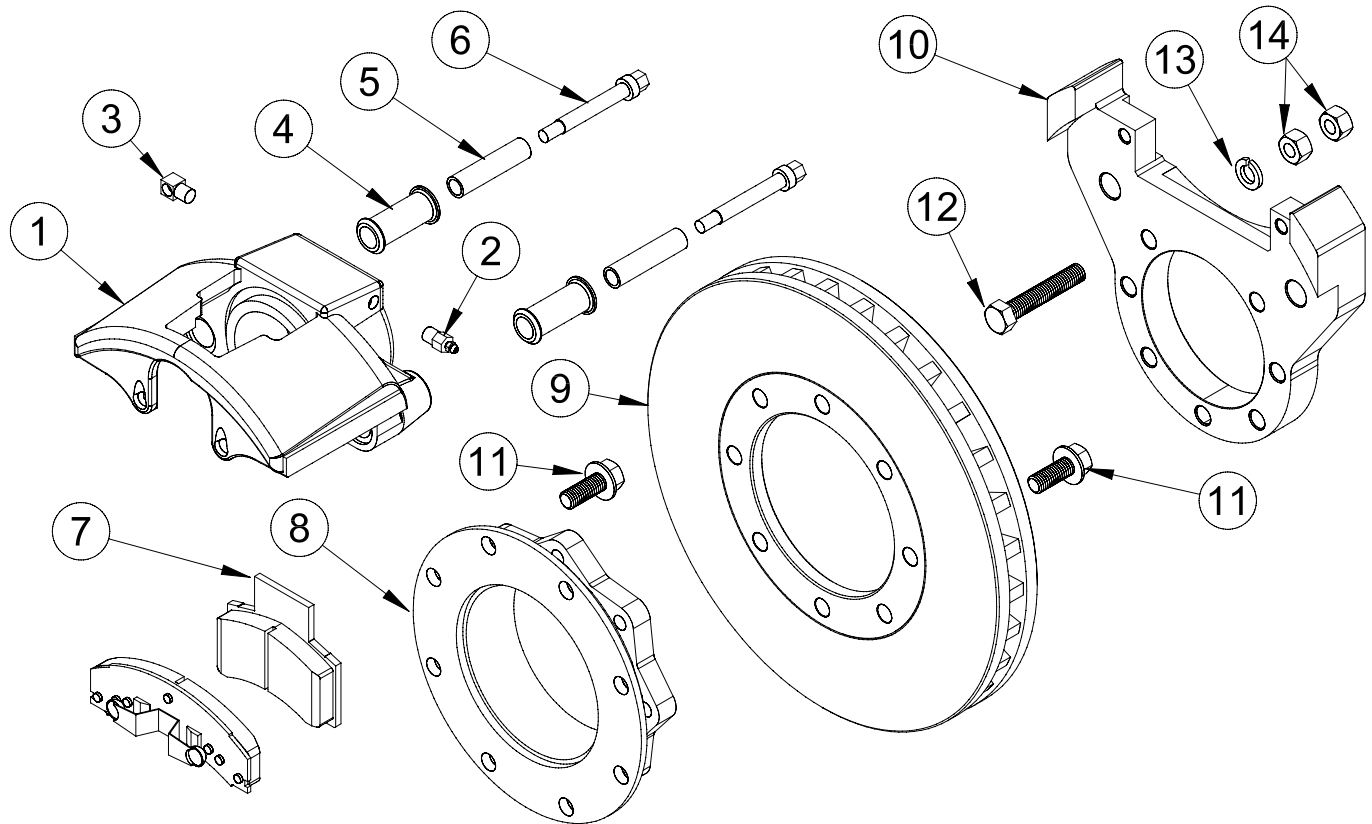


*Engineered for Performance and Reliability*

# MYCO TRAILERS, LLC.

Brake, Disc, Hydraulic, 10,000 lb GD Axle, Two Piece Hub Group.



Key No.	Part Number	Quan.	Description
01	1001673	1	Caliper, RH, 3.38", Silver Cad Plated, loaded complete. Includes 02, 03, 04, 05, 06, 07.
01	1001673	1	Caliper, LH, 3.38", Silver Cad Plated, loaded complete. Includes 02, 03, 04, 05, 06, 07.
02	1001425	1	Bleed port, brass.
03	1001850	1	Adapter port, 90°, 1/8 npt x 3/16 female inverted flare, brass.
04	1001449	2	Bushing, rubber, guide, 338 caliper.
05	1001451	2	Sleeve, guide, stainless steel, 338 caliper.
06	1001440	2	Bolt, guide, 11M - 1.5 x 80mm, stainless steel. Cross drilled for safety wire.
07	1001483	1	Pad, friction, 338", ceramic. Axle set.
08	1001662	1	Spacer, 338, Dexter, SCAD plated.
09	1001646	1	Rotor, 13", 338, Dexter Torflex, SCAD plated.
10		1	Bracket, mounting, caliper, 10K GD, 13" 338, Dexter Torflex, SCAD plated.
11	1001452	16	Bolt, 12 point flange, 1/2-13 x 1-1/4", zinc plated.
12	0801369	7	Bolt, Hex, 1/2-13 x 2-3/4" stainless steel.
13	3602000	7	Washer, lock, 1/2" stainless steel.
14	3400600	14	Nut, hex, 1/2-13 stainless steel.