

*Engineered for Performance and Reliability*

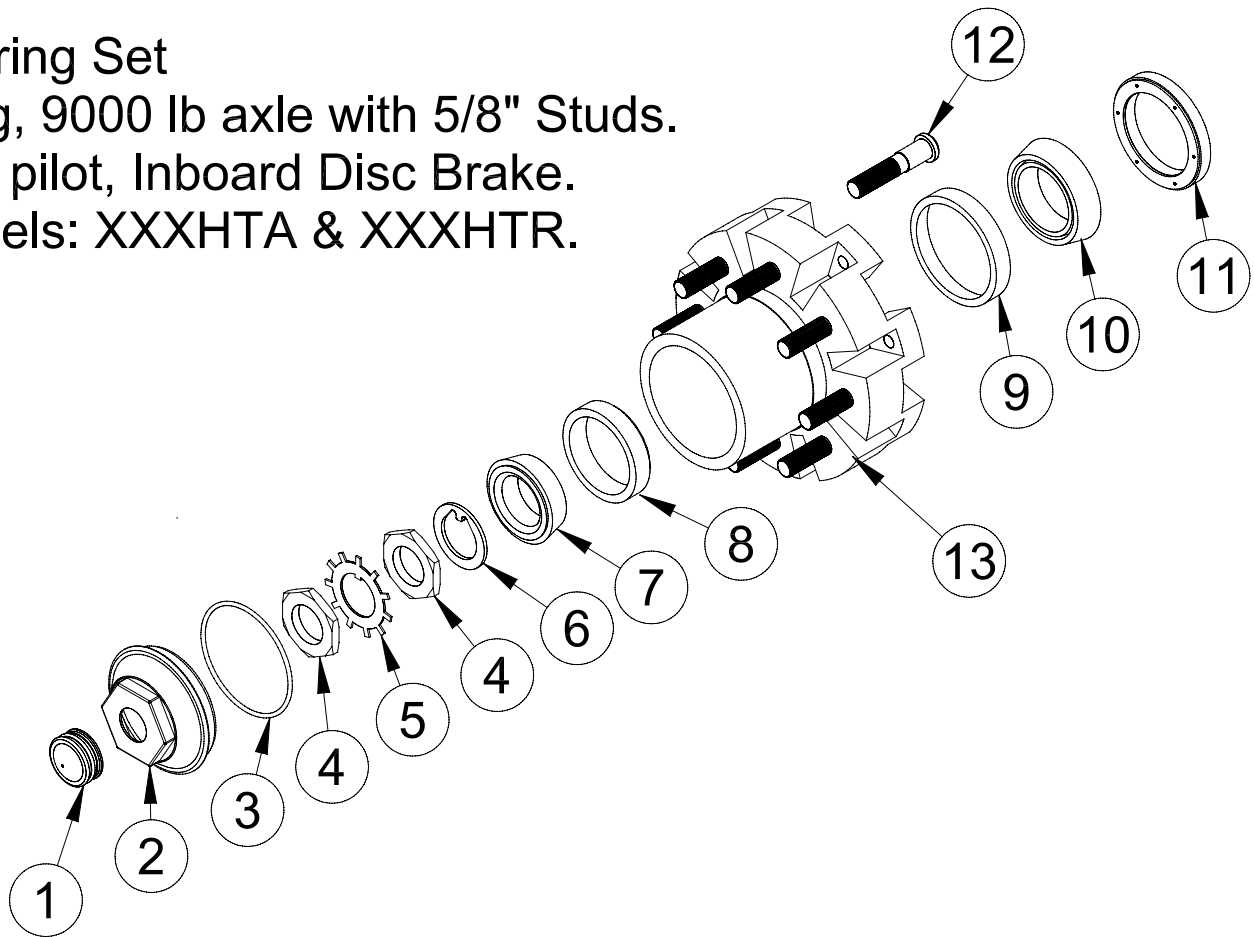
# MYCO TRAILERS, LLC.

## Bearing Set

8 lug, 9000 lb axle with 5/8" Studs.

Hub pilot, Inboard Disc Brake.

Models: XXXHTA & XXXHTR.



Key No.	Part Number	Quan.	Description
01	1600750	01	Diaphragm, rubber, Sport cap.
02	1600225	01	Cap, Grease/Oil, 9-15K, Lexan, Screw in. Machine to accept #1600750.
03	6200200	01	Seal, O-Ring, 3.734 ID x .139 section. Dash 240.
04	3403690	02	Nut, Spindle, Hex. #6-96.
05	3606590	01	Washer, Tang, Locking, 9K. #5-71.
06	3606850	01	Washer, Spindle, 9K. #5-70.
07	0600700	01	Bearing, Outer. #25580.
08	0600800	01	Race, Outer, #25520.
09	0600070	01	Race, Inner. #382A.
10	0600080	01	Bearing, Inner. #387A.
11	6201010	01	Seal, grease/oil, Unitized, 2.875 x 3.88 x 0.414.
12	9200545	08	Stud, 5/8-18 x 3.16 drive in. DX 007-115-00.
13	1801752	01	Hub, 9K, 865 for Inboard Disc brake, with 5/8 studs & races.