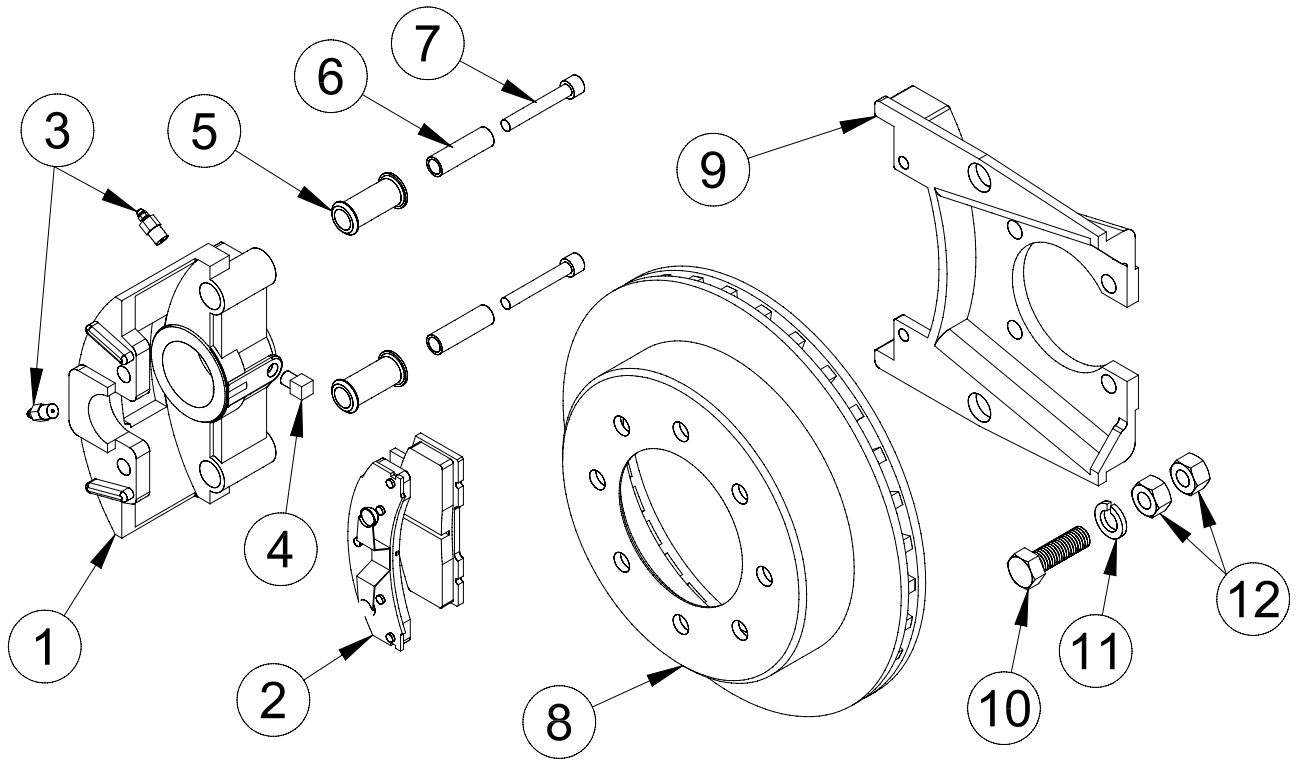


Engineered for Performance and Reliability

MYCO TRAILERS, LLC.

Brake, Disc, Hydraulic, 8,000 lb Axle, 9/16" Stud, Military.



Key No.	Part Number	Quan.	Description
01	1001676	1	Caliper, 2.5", stainless steel, loaded complete. Includes 02, 03, 04, 05, 06.
02	1001480	1	Pad, friction, 2.5", ceramic. Axle set.
03	1001425	2	Bleed port, brass.
04	1001850	1	Adapter port, 90°, 1/8 npt x 3/16 female inverted flare, brass.
05	1001447	2	Bushing, rubber, guide.
06	1001450	2	Sleeve, guide, stainless steel.
07	1001435	2	Bolt, guide, 11M x 1.5 stainless steel. Cross drilled for safety wire.
08	1001648	1	Rotor, hat style, 13.3", 8-lug, 9/16 stud, SCAD plating.
09	1001659	1	Bracket, mounting, caliper, 8K, stainless steel.
10	0801390	4	Bolt, Hex, 9/16-12 x 2" stainless steel.
11	3602050	4	Washer, lock, 9/16" stainless steel.
12	3400640	8	Nut, hex, 9/16-12 stainless steel.