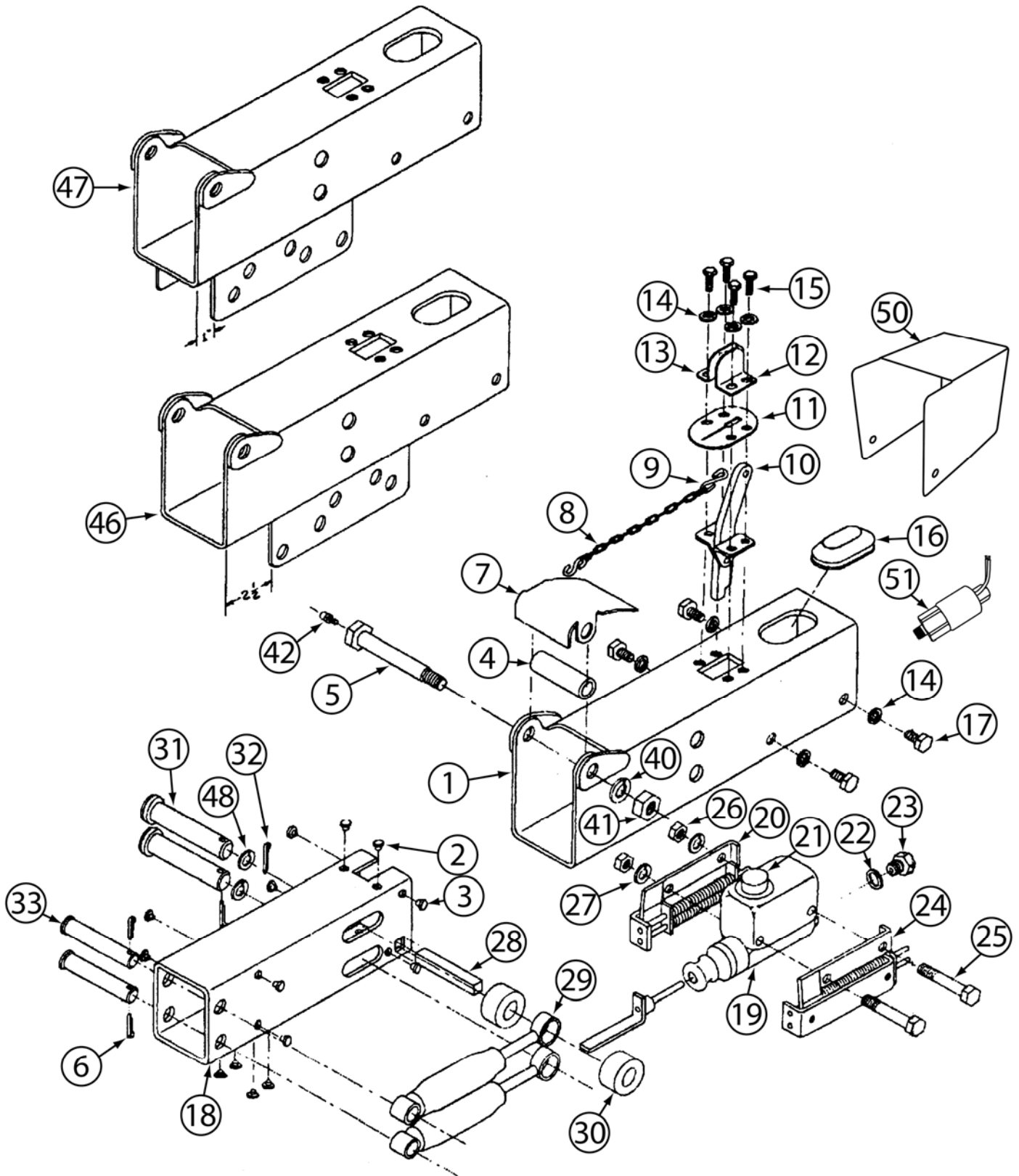


# **MODEL 10 ACTUATOR PARTS DIAGRAM**



# **MODEL 10 ACTUATOR PARTS LIST**

(ref. Parts Diagram on page 9)

KEY #	PART NUMBER	DESCRIPTION	QTY
1	1601600	Outer case, painted	1
2	1020900	Bearing (top & bottom) .125" thick	6
3	1242700	Bearing (side) .075" thick	8
4	1601900	Front Roller	1
5	0828800	Front Roller Bolt	1
6	0799700	Cotter Pin 1/8" X 1"	2
7	1601800	Front Roller Cover	1
8	0776800	Breakaway Chain	4
9	1055500	S-Hook	2
10	1054100	Breakaway Lever Assembly	1
11	1055200	Weather Seal	1
12	1052600	Breakaway Lock - Left Hand	1
13	1052700	Breakaway Lock - Right Hand	1
14	0793800	Lockwasher 5/16" standard	8
15	0794900	Bolt - Hex 5/16" -18NC x 5/8" long	4
16	1507000	Cylinder Cover	1
17	0794800	Bolt - Hex 5/16" -18NC x 1/2" long	4
18	1593300	Inner Slide	1
19	2374400	Master Cylinder, 1 1/4" bore, drum brake	1
*	4831600	Master Cylinder, drum, with 1209800 orifice	
	4747100	Master Cylinder, 1 1/4" bore, disc brake	
20	0838800	Cylinder Bracket, Right Hand	1
21	1250300	Filler Cap (included in 2374400)	1
22	0774500	Gasket, for use with 1209900 orifice	1
23	1209800	Orifice connector, drum brake, 1/8" NPT	1
	1209900	Orifice, drum, early type, 1/2" NF thread	1
24	0838900	Cylinder Bracket, Left Hand	1
25	0827100	Bolt - Hex 3/8" - 16NC X 3" long	2
26	0797600	Hex Nut 3/8" - 16NC	2
27	1255200	Star Lockwasher 3/8"	2
28	0830100	Push Rod Block	1
29	1242600	Damper	2
30	0829100	Rear Roller	2
31	1593500	Master Pin	2
32	0815200	Cotter Pin 3/16" X 1 1/4"	2
33	1593400	Damper Pin	2
40	0793700	Lockwasher 1/2"	1
41	0798500	Hex Nut 1/2" - 13NC	1
42	0144901	Grease Zerk	1
46	2477700183	Outer case, 2.5" offset mtg channel, plated	1
	2477700317	Outer case, 2.5" offset mtg channel, painted	1
47	2478200	Outer case, 1" offset mtg channel, plated	1
	1685500	Outer case, 1" offset mtg channel, painted	1
48	1861900	Nylon Washer	2

\* = not shown

# **MODEL 10 ACTUATOR PARTS LIST (cont.)**

(ref. Parts Diagram on page 9)

KEY #	PART NUMBER	DESCRIPTION	QTY
49	2374600	Drum Brake Master Cylinder Assembly complete with brackets	1
	4749501042	Disc Brake Master Cylinder Assembly complete with brackets	1
50	4836100183	Back up valve cover, plated	1
	4836100	Back up valve cover, painted	
*	1018700	Master cylinder repair kit	
51	4748800	Solenoid back up valve, male 1/8" NPT and female	1
		3/8" x 24 NF with inverted seat	
*	4750200	Adapter 1/2" NF to 1/8" NPT, for back up valve	1

\* = not shown

## **MODEL 10 ACTUATOR PRODUCT LIST**

DRUM BRAKE	DISC BRAKE	DESCRIPTION	ATTACHMENT	INNER	OUTER
1608000		No coupler, painted	Weld-on	1593300	1601600
2404600	4838000	W/leveler channel, painted	Weld-on	1608700317	1601600
4809700	4809900	W/leveler channel, plated	Bolt-on 5/8"	4721700	2478200
	4810000	W/leveler channel, plated, w/lunette eye	Bolt-on 5/8"	4721700	2478200
	4810020	Same as above w/solenoid valve & cover	Bolt-on 5/8"	4721700	2478200
4721600		W/leveler channel, plated	Bolt-on 1/2"	4721700	2477700183
1607500	4749600	2 5/16 coupler, straight, painted	Weld-on	1608400317	1601600
	4749610	2 5/16 coupler, straight, ptd, with cover	Weld-on	1608400317	1601600
	4749620	2 5/16 straight, ptd, with valve & cover	Weld-on	1608400317	1601600
1664300		2 5/16 coupler, 2.5" offset, painted	Bolt-on 1/2"	1608400317	2477700317
2477600	4750800	2 5/16 coupler, 2.5" offset, plated	Bolt-on 1/2"	1608400183	2477700183
	4750820	Same as above w/solenoid valve & cover	Bolt-on 1/2"	1608400183	2477700183
1735200	4830300	2 5/16 drop coupler, painted	Weld-on	2478300317	1601600
1772700	4830100	2 5/16 drop, 1" offset mtg channel	Bolt-on 5/8"	2478300317	1685500
	4837900	2 5/16 drop, painted	Weld-on	2478300317	1601600
2478100	4750600	2 5/16 drop, plated	Bolt-on 5/8"	2478300183	2478200
	4750610	2 5/16 drop, plated, with cover	Bolt-on 5/8"	2478300183	2478200
	4750620	2 5/16 drop, plated, with valve and cover	Bolt-on 5/8"	2478300183	2478200
1890900		2 5/16 adj coupler, painted	Weld-on	1608700317	1601600
4836700		W/leveler channel, 1" offset mtg channel	Bolt-on 5/8"	1608700317	1685500
4238300		2 5/16 adj coupler, 1" offset channel	Bolt-on 5/8"	1608700317	1685500
1891100		3" adjustable lunette eye, painted	Weld-on	1608700317	1601600
1607900		Adjustable clevis hitch, painted	Weld-on	1608700317	1601600
1607700		3" lunette eye, painted	Weld-on	1608600	1601600
1664500		3" lunette eye, 2.5" offset mtg channel	Bolt-on 1/2"	1608600	2477700317
1664900		No coupler, 2.5" offset mtg channel	Bolt-on 1/2"	1593300	2477700317
4238500		3" adj lunette eye, 1" offset mtg channel	Bolt-on 5/8"	1608700317	1685500
4299600		2 5/16 drop, 2.5" offset mtg channel	Bolt-on 1/2"	2478300183	2477700183
2324800		W/leveler channel, 2.5" offset mtg channel	Bolt-on 1/2"	1608700317	2477700317