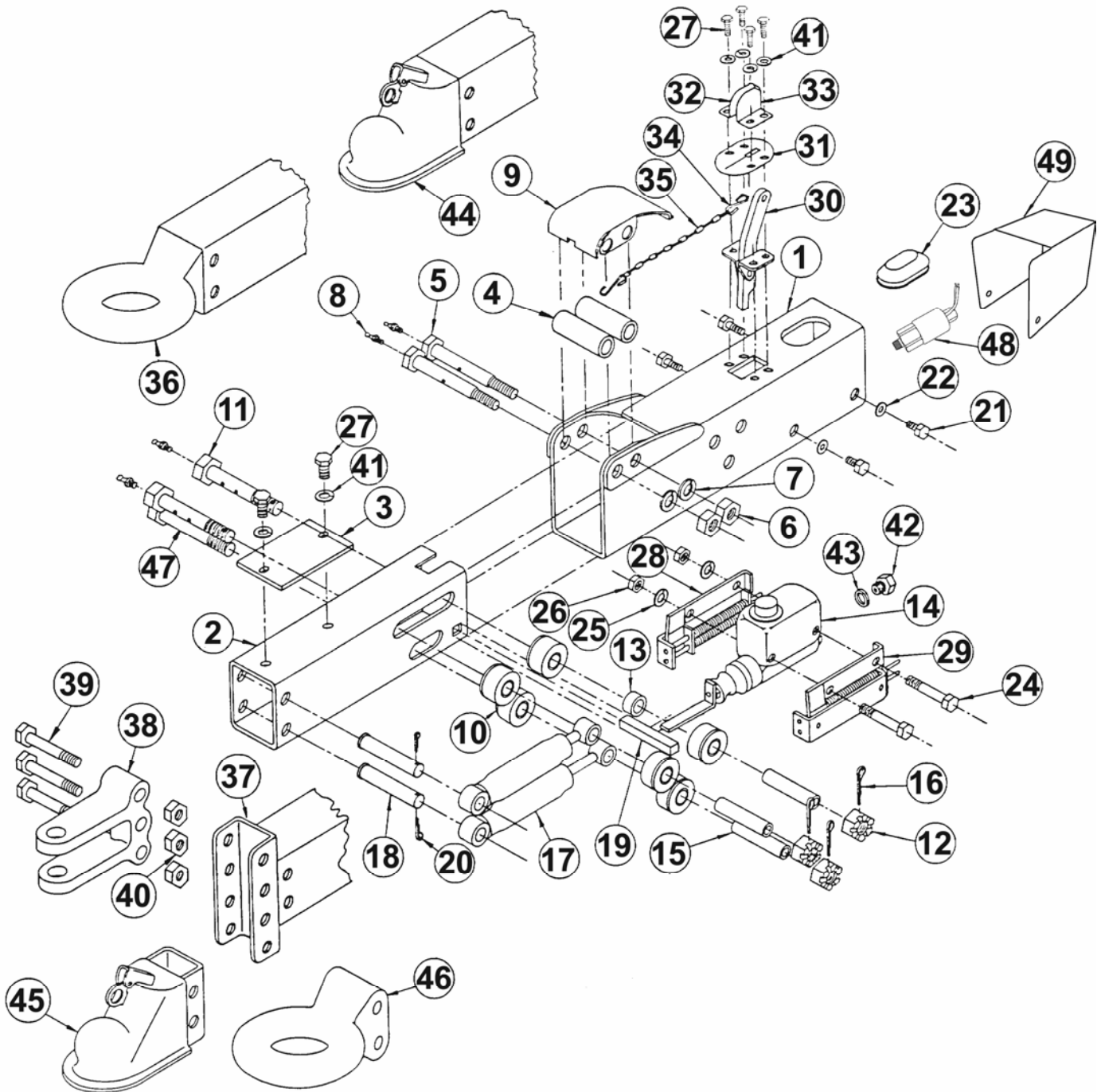


MODEL 20 ACTUATOR PARTS DIAGRAM



MODEL 20 ACTUATOR PARTS LIST

(ref. Parts Diagram on page 9)

Key #	Part Number	Description	Qty
1	1055300317	Outer Case, painted	
*	1734900	Outer Case w/Mounting Channel, painted	
*	4488300	Outer Case w/Mounting Channel, plated	
2	1556300317	Inner Slide - No Coupler, painted	
*	4490400317	Inner Slide w/2 5/16" Drop Coupler, painted	
*	4490400183	Inner Slide w/2 5/16" Drop Coupler, plated	
3	0828400	Centering Rail	1
4	1601900	Front Roller, plated	2
5	0828800	Front Roller Bolt 5/8" X 5 1/4" - 1/2" NC	2
6	0798500	Hex Nut 1/2" NC	2
7	0793700	Lockwasher 1/2"	2
8	0144901	Grease Zerk	4
9	0828900317	Front Roller Cover, painted	1
9	0828900183	Front Roller Cover, plated	1
10	0829100	Rear Roller	6
11	0829400	Rear Roller Bolt, 5" X 5/8" NF, Grade 5	2
12	0797100	Slotted Hex Nut - 5/8" NF	3
13	0332800	Spacer	1
14	1250300	Filler Cap (Included in 2374400)	1
14	2374400	Master Cylinder, Drum Brake, 1 1/4 " Bore	1
	4831600	Master Cylinder, Drum, with 1209800 orifice conn.	
	4747100	Master Cylinder, Disc Brake, 1 1/4" bore	
15	0829700	Spacer	3
16	0799400	Cotter Pin 1/8" X 1 1/4"	3
17	0778400	Damper	2
18	0829800	Damper Pin	2
19	0830100	Pushrod Block	1
20	0799700	Cotter Pin 1/8" X 1"	2
21	0794800	Bolt, 5/16" X 1/2" NC, Grade 5	4
22	1248900	Star Lockwasher 5/16"	4
23	1507000	Cylinder Cover	1
24	0827100	Bolt, 3" X 3/8" NC, Grade 5	2
25	1255200	Star Lockwasher 3/8"	2
26	0797600	Hex Nut 3/8" NC	2
27	0794900	Bolt, 5/16" X 5/8" NC, Grade 5	6
28	0838800	Right Hand Cylinder Bracket	1
29	0838900	Left Hand Cylinder Bracket	1
30	1054100	Breakaway Lever Assembly	1
31	1055200	Weather Seal	1
32	1052700	Right Hand Breakaway Lock	1
33	1052600	Left Hand Breakaway Lock	1
34	1055500	S-Hook	2
35	0776800	Safety Chain	1
36	1297600	Inner Slide - 3" Lunette Eye	

MODEL 20 ACTUATOR PARTS LIST (cont.)

(ref. Parts Diagram on page 9)

Key #	Part Number	Description	Qty
37	1058200317	Inner Slide - Leveler Channel, painted	
	1058200183	Inner Slide - Leveler Channel, plated	
38	1807800	Clevis Hitch - For 1" Pin	
39	0909300	Bolt, 4 1/4" X 5/8" NC, Grade 5	
40	1040500	Locknut 5/8" NC	
41	0793800	Lockwasher 5/16" STD	6
42	1209800	Orifice Connector, drum brake, 1/8" NPT	1
	1209900	Orifice, drum brake, earlier 1/2" NF thread master cylinders	
43	0774500	Gasket, used with 1209900 orifice	1
44	1278800	Inner Slide - 2 5/16" Coupler, painted	
44	4488400	Inner Slide - 2 5/16" Coupler, plated	
45	1882000	Adjustable Ball Coupler - 2 5/16"	
	4721500	Adjustable Ball Coupler - 2 5/16", plated	
46	1613700	Lunette Eye - 3" Adjustable, uncoated	
	1613700183	Lunette Eye - 3" Adjustable, plated	
47	0829500	Bolt, 5/8" X 5" NF, Grade 5	1
48	4748800	Solenoid back up valve, male 1/8" NPT	
		and female 3/8" x 24 NF with inverted seat	
	4750200	Adapter, 1/2" NF to 1/8" NPT for solenoid valve on early m. cyl.	
49	4836100183	Back up valve cover, plated	
	4836100	Back up valve cover, painted	
*	1018700	1 1/4" Master Cylinder Repair Kit	
*	1848700	2 5/16" Ball Coupler Repair Kit	
*	2374600	Drum Brake Master Cylinder Assembly	
		complete w/brackets	
*	4749501042	Disc Brake Master Cylinder Assembly	
		complete w/brackets	

* - Not Shown