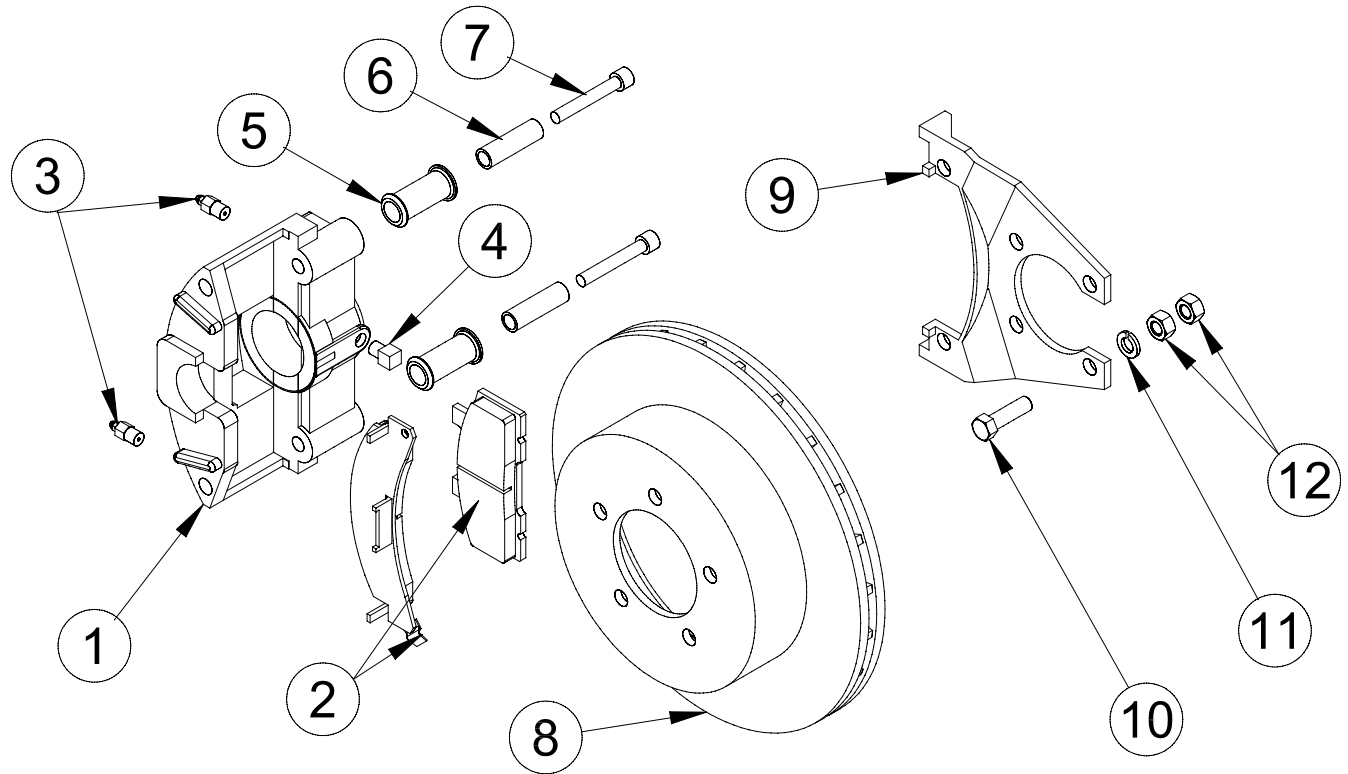


Engineered for Performance and Reliability

MYCO TRAILERS, LLC.

Brake, Disc, Hydraulic, 3,500 Axle, 1/2" Stud.
Standard. Models: SA, TA, TXA.



Key No.	Part Number	Quan.	Description
01	1001668	1	Caliper, 2.25", Dacro, loaded complete. Includes 02, 03, 04, 05, 06.
02	1001470	1	Pad, friction, 2.25", ceramic. Axle set.
03	1001425	2	Bleed port, brass.
04	1001850	1	Adapter port, 90°, 1/8 npt x 3/16 female inverted flare, brass.
05	1001447	2	Bushing, rubber, guide.
06	1001450	2	Sleeve, guide, stainless steel.
07	1001445	2	Bolt, guide, 11M x 1.5 stainless steel.
08	1001540	1	Rotor, hat style, 10", 5-lug, 1/2 stud, Dacro.
09	1001510	1	Bracket, mounting, caliper, 3.5K Dacro.
10	0801335	4	Hex head cap screw 7/16-20 x 1-1/2" stainless steel.
11	3601900	4	Washer, spring lock, 7/16 stainless steel.
12	3400500	8	Hex nut, 7/16-20 stainless steel.