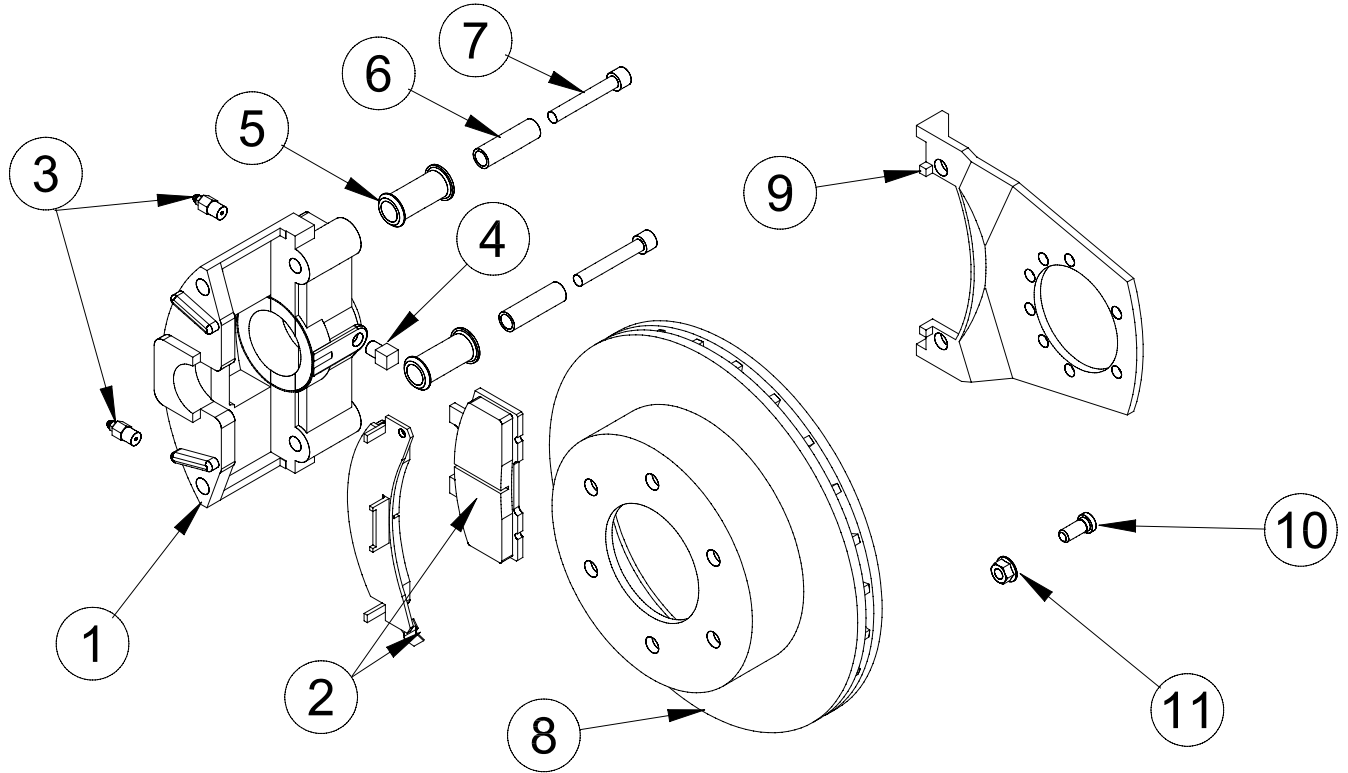


Engineered for Performance and Reliability

MYCO TRAILERS, LLC.

Brake, Disc, Hydraulic, 5,200 Axle, 1/2" Stud.
Stainless Steel. Models: TAX, HTA, HTR.



Key No.	Part Number	Quan.	Description
01	1001671	1	Caliper, 2.25", stainless steel, loaded complete. Includes 02, 03, 04, 05, 06.
02	1001470	1	Pad, friction, 2.25", ceramic. Axle set.
03	1001425	2	Bleed port, brass.
04	1001850	1	Adapter port, 90°, 1/8 npt x 3/16 female inverted flare, brass.
05	1001447	2	Bushing, rubber, guide.
06	1001450	2	Sleeve, guide, stainless steel.
07	1001445	2	Bolt, guide, 11M x 1.5 stainless steel.
08	1001634	1	Rotor, hat style, 12", 6-lug, 1/2 stud, stainless steel.
09	1001623	1	Bracket, mounting, caliper, 5.2K stainless steel.
10	9200100	5	Stud, drive in, 3/8-24 x 7/8" black oxide.
11	3404200	5	Nut, lock, flange, 3/8-24, zinc.