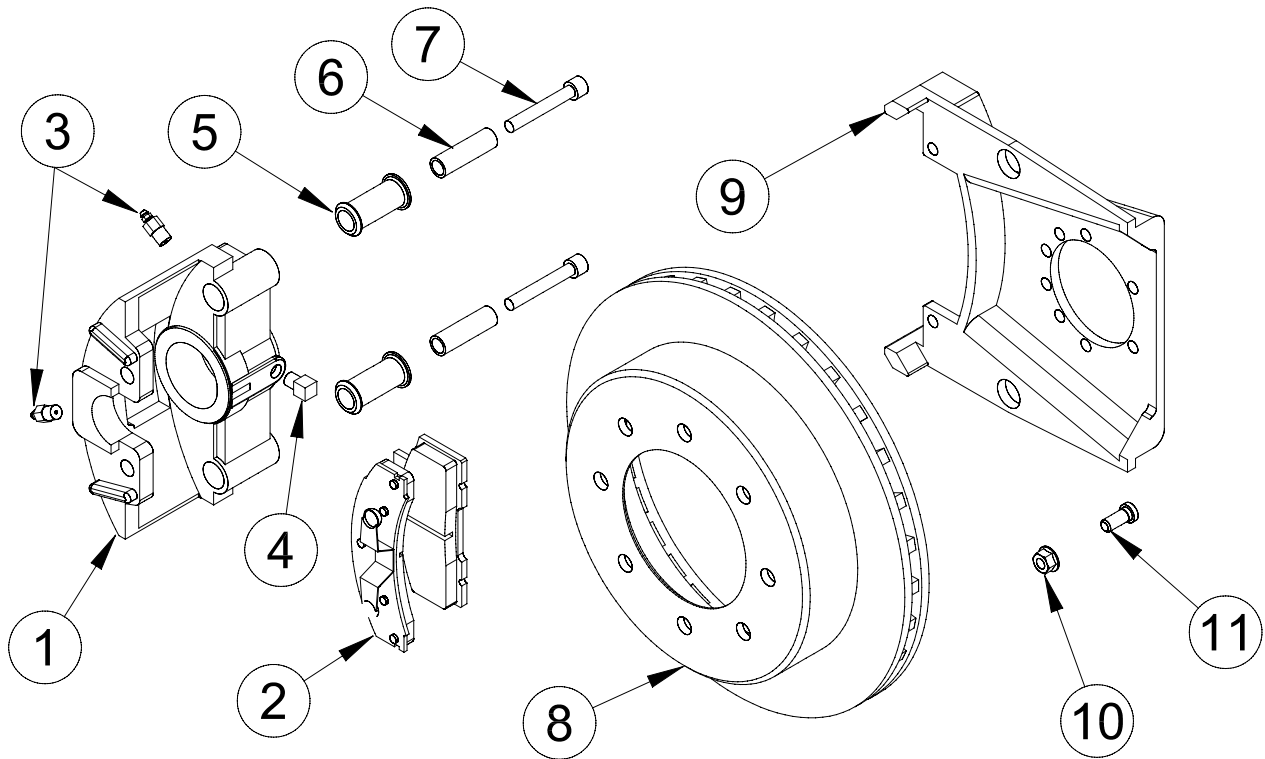


Engineered for Performance and Reliability

MYCO TRAILERS, LLC.

Brake, Disc, Hydraulic, 6,000 & 7,000 lb Axle, 1/2" Stud.
Standard. Models: XHTA, XHTR, XHHTA & XHHTR.



Key No.	Part Number	Quan.	Description
01	1001672	1	Caliper, 2.5", Dacro, loaded complete. Includes 02, 03, 04, 05, 06.
02	1001480	1	Pad, friction, 2.5", ceramic. Axle set.
03	1001425	2	Bleed port, brass.
04	1001850	1	Adapter port, 90°, 1/8 npt x 3/16 female inverted flare, brass.
05	1001447	2	Bushing, rubber, guide.
06	1001450	2	Sleeve, guide, stainless steel.
07	1001445	2	Bolt, guide, 11M x 1.5 stainless steel.
08	1001635	1	Rotor, hat style, 13.3", 8-lug, 1/2 stud, Dacro.
09	1001653	1	Bracket, mounting, caliper, 6K & 7K Dacro.
10	9200100	5	Stud, drive in, 3/8-24 x 7/8" black oxide.
11	3404200	5	Nut, lock, flange, 3/8-24, zinc.