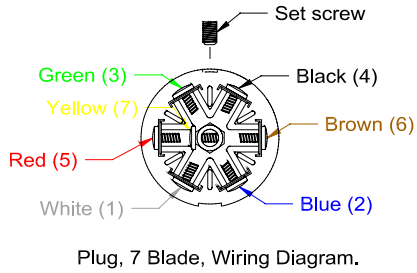


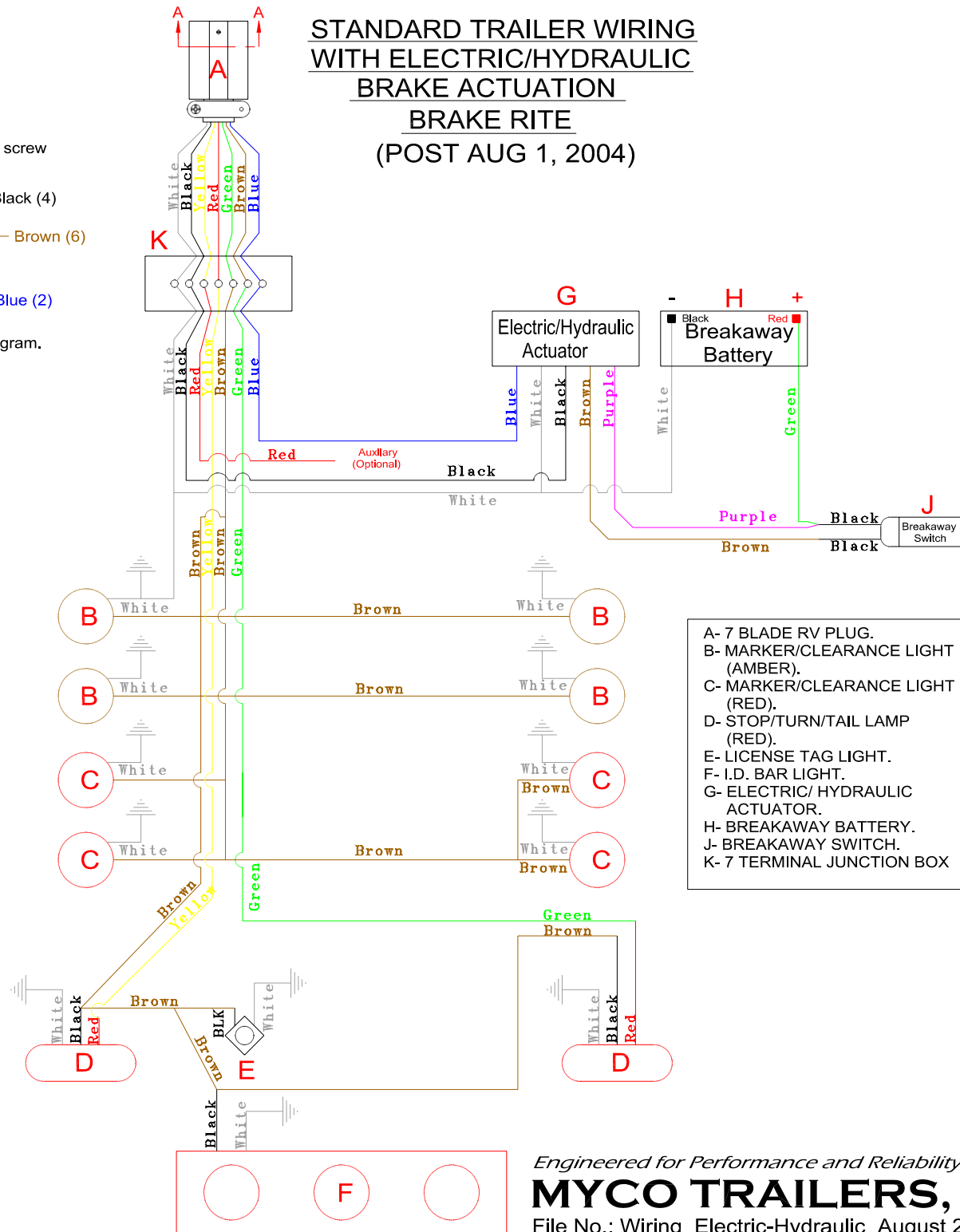
STANDARD TRAILER WIRING WITH ELECTRIC/HYDRAULIC BRAKE ACTUATION BRAKE RITE (POST AUG 1, 2004)



VIEW A

NOTE: COLOR LABELS ON JUNCTION BOX MATCH 7-WAY PLUG. FUNCTION LABELS ON JUNCTION BOX MATCH DEVICES ON TRAILER.

#	CIRCUIT
1	Common Ground.
2	Electric Brake Controller.
3	Tall, License, and Running Light.
4	Battery Charge.
5	Stop and L.H. Turn Signal.
6	Stop and R.H. Turn Signal.
7	Extra Auxiliary Circuit.



- A- 7 BLADE RV PLUG.
- B- MARKER/CLEARANCE LIGHT (AMBER).
- C- MARKER/CLEARANCE LIGHT (RED).
- D- STOP/TURN/TAIL LAMP (RED).
- E- LICENSE TAG LIGHT.
- F- I.D. BAR LIGHT.
- G- ELECTRIC/ HYDRAULIC ACTUATOR.
- H- BREAKAWAY BATTERY.
- J- BREAKAWAY SWITCH.
- K- 7 TERMINAL JUNCTION BOX