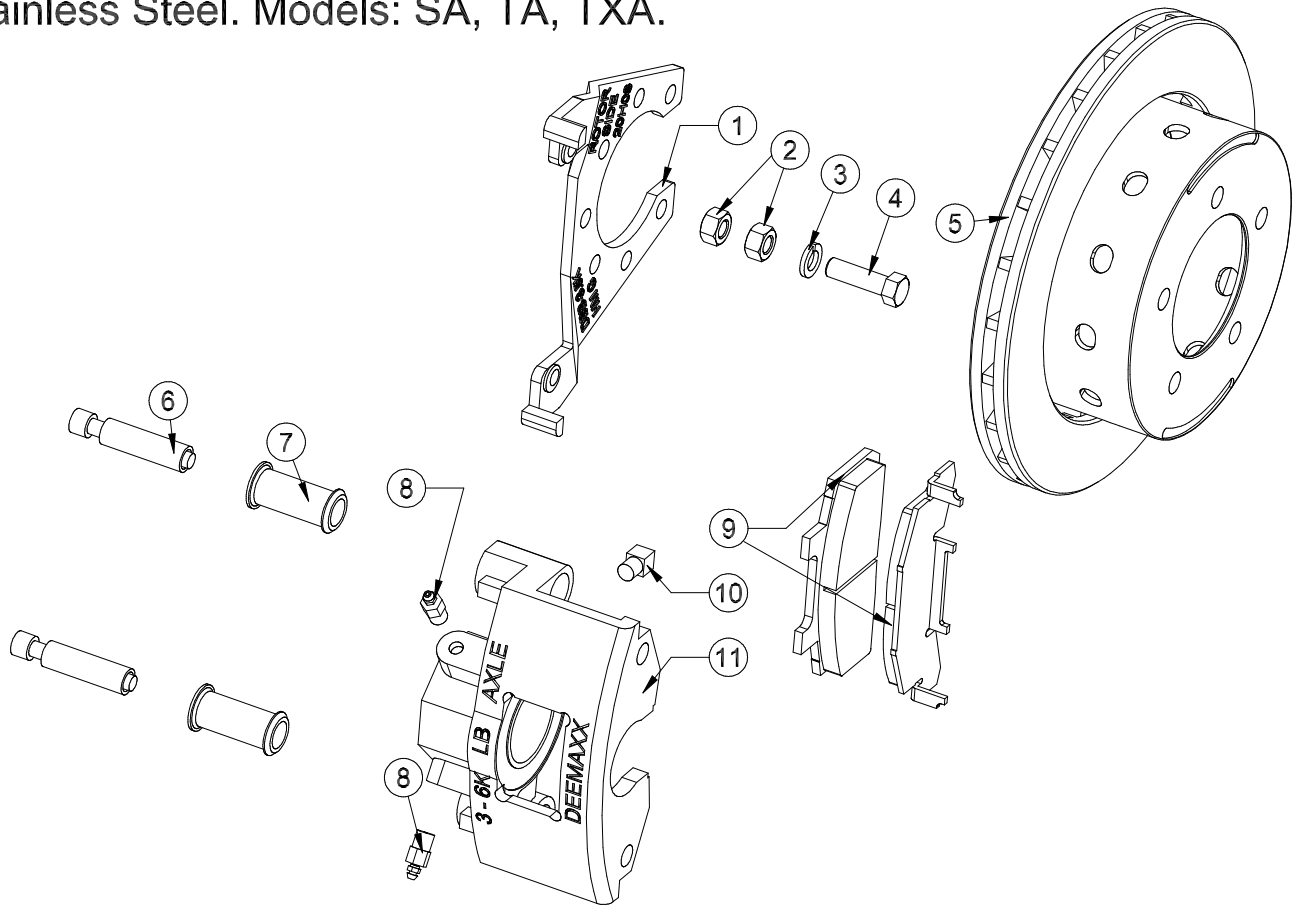


Engineered for Performance and Reliability

MYCO TRAILERS, LLC.

DeeMaxx Brake, Disc, Hydraulic, 3,500 Axle, 1/2" Stud.
Stainless Steel. Models: SA, TA, TXA.



Key No.	Part Number	Quan.	Description
01	1001521	1	Bracket, mounting, caliper, 3.5K Dacro
02	3400500	8	Hex nut, 7/16-20 stainless steel.
03	3601900	4	Washer, spring lock, 7/16 stainless steel.
04	0801335	4	Hex head cap screw 7/16-20 x 1-1/2" stainless steel.
05	1001505	1	Rotor, hat style, 10", 5-lug, 1/2 stud. Dacro
06	1001460	2	Bolt, guide, 11M x 1.5 threads with sleeve guide stainless steel.
07	1001447	2	Bushing, rubber, guide.
08	1001426	2	Bleed port, brass.
09	1001477	1	Pad, friction, 2.25", ceramic. Axle set.
10	1001850	1	Adapter port, 90°, 1/8 npt x 3/16 female inverted flare, brass.
11	1001669	1	Caliper, 2.25", Dacro loaded complete. Includes 06, 07, 08, 09, 10.