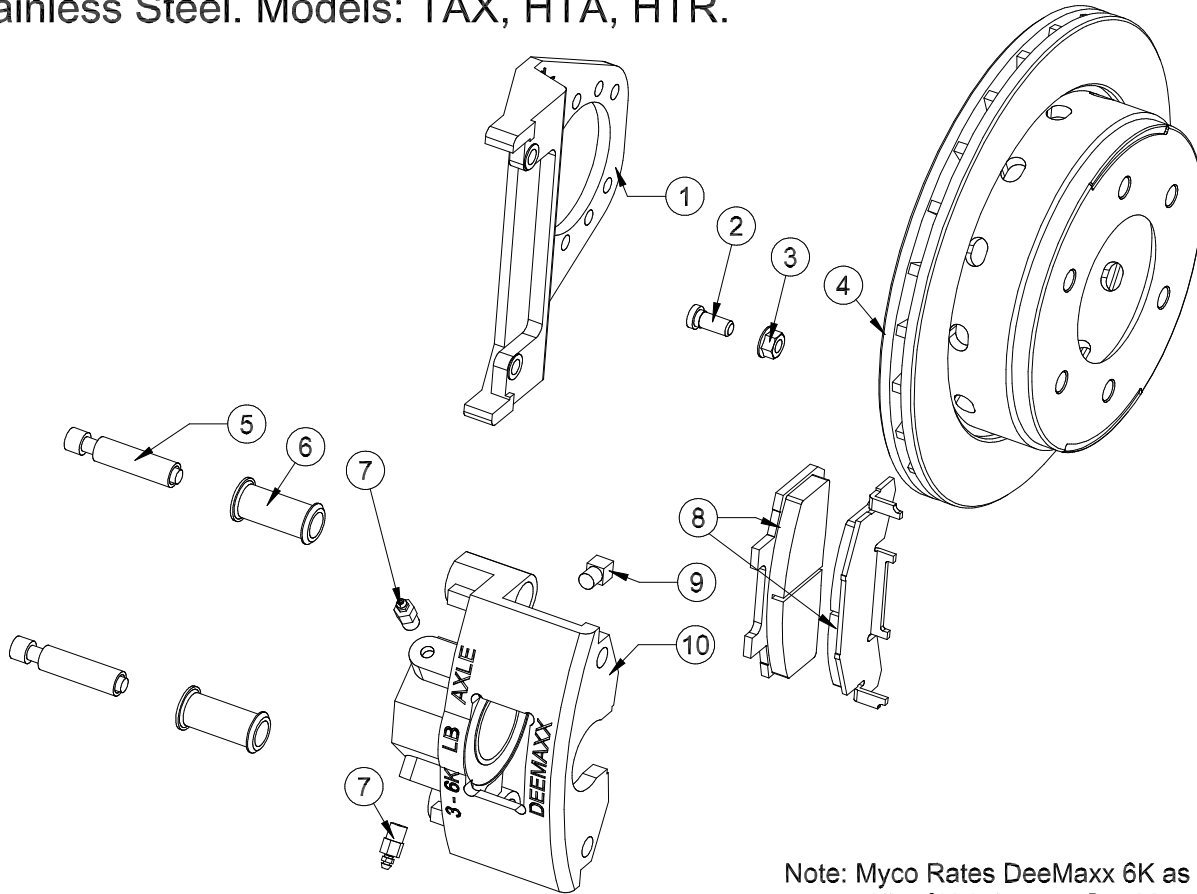


*Engineered for Performance and Reliability*

# MYCO TRAILERS, LLC.

DeeMaxx Brake, Disc, Hydraulic, 5,200 Axle, 1/2" Stud.  
Stainless Steel. Models: TAX, HTA, HTR.



Note: Myco Rates DeeMaxx 6K as 5.2K  
All 5.2K Axles use DeeMaxx 6K Components

Key No.	Part Number	Quan.	Description
01	1001618	1	Bracket, mounting, caliper, 5.2K stainless steel.
02	9200100	5	Stud, drive in, 3/8-24 x 7/8" black oxide.
03	3404200	5	Nut, lock, flange, 3/8-24, zinc.
04	1001637	1	Rotor, hat style, 12", 6-lug, 1/2 stud, stainless steel.
05	1001460	2	Bolt, guide, 11M x 1.5 threads with sleeve guide stainless steel.
06	1001447	2	Bushing, rubber, guide.
07	1001426	2	Bleed port, brass.
08	1001478	1	Pad, friction, 2.25", ceramic. Axle set.
09	1001850	1	Adapter port, 90°, 1/8 npt x 3/16 female inverted flare, brass.
10	1001628	1	Caliper, 2.25", stainless steel, loaded complete. Includes 05, 06, 07, 08, 09.