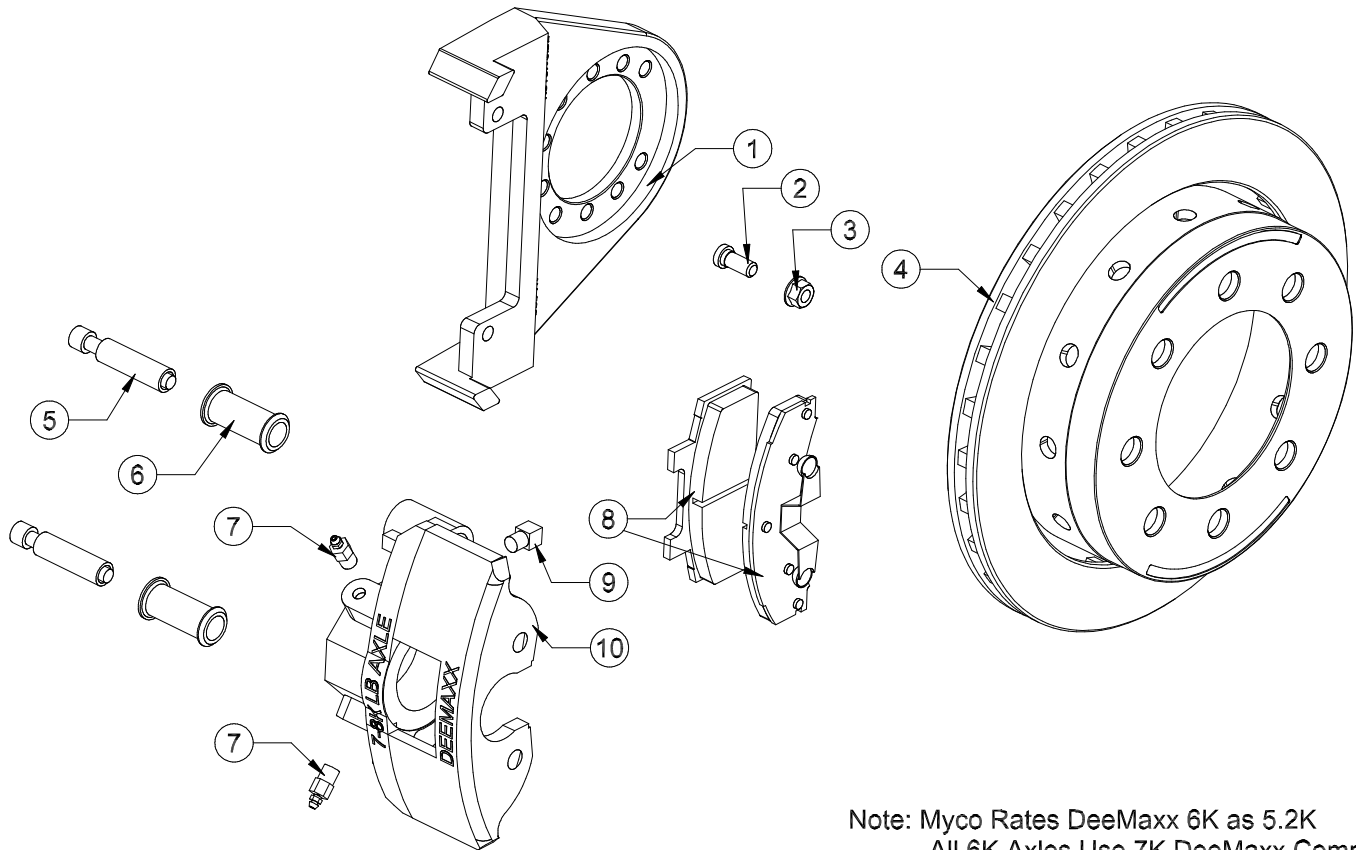


*Engineered for Performance and Reliability*

# MYCO TRAILERS, LLC.

DeeMaxx Brake, Disc, Hydraulic, 6,000 & 7,000 lb Axle, 1/2" Stud.  
Standard. Models: XHTA, XHTR, XHHTA & XHHTR.



Note: Myco Rates DeeMaxx 6K as 5.2K  
All 6K Axles Use 7K DeeMaxx Components

| Key No. | Part Number | Quan. | Description   |
|---------|-------------|-------|---|
| 01      | 1001626     | 1     | Bracket, mounting, caliper, 6K & 7K Dacro                           |
| 02      | 3404200     | 5     | Nut, lock, flange, 3/8-24, zinc.                                    |
| 03      | 9200100     | 5     | Stud, drive in, 3/8-24 x 7/8" black oxide.                          |
| 04      | 1001636     | 1     | Rotor, 13.1" Slip Over Rotor, 8-lug, 1/2 stud Dacro                 |
| 05      | 1001460     | 2     | Bolt, guide, 11M x 1.5 threads with sleeve guide stainless steel.   |
| 06      | 1001447     | 2     | Bushing, rubber, guide.   |
| 07      | 1001426     | 2     | Bleed port, brass.  |
| 08      | 1001476     | 1     | Pad, friction, 2.5", ceramic. Axle set.                             |
| 09      | 1001850     | 1     | Adapter port, 90°, 1/8 npt x 3/16 female inverted flare, brass.     |
| 10      | 1001553     | 1     | Caliper, 2.5", Dacro, loaded complete. Includes 05, 06, 07, 08, 09. |
|         |             |       |   |
|         |             |       |   |
|         |             |       |   |
|         |             |       |   |