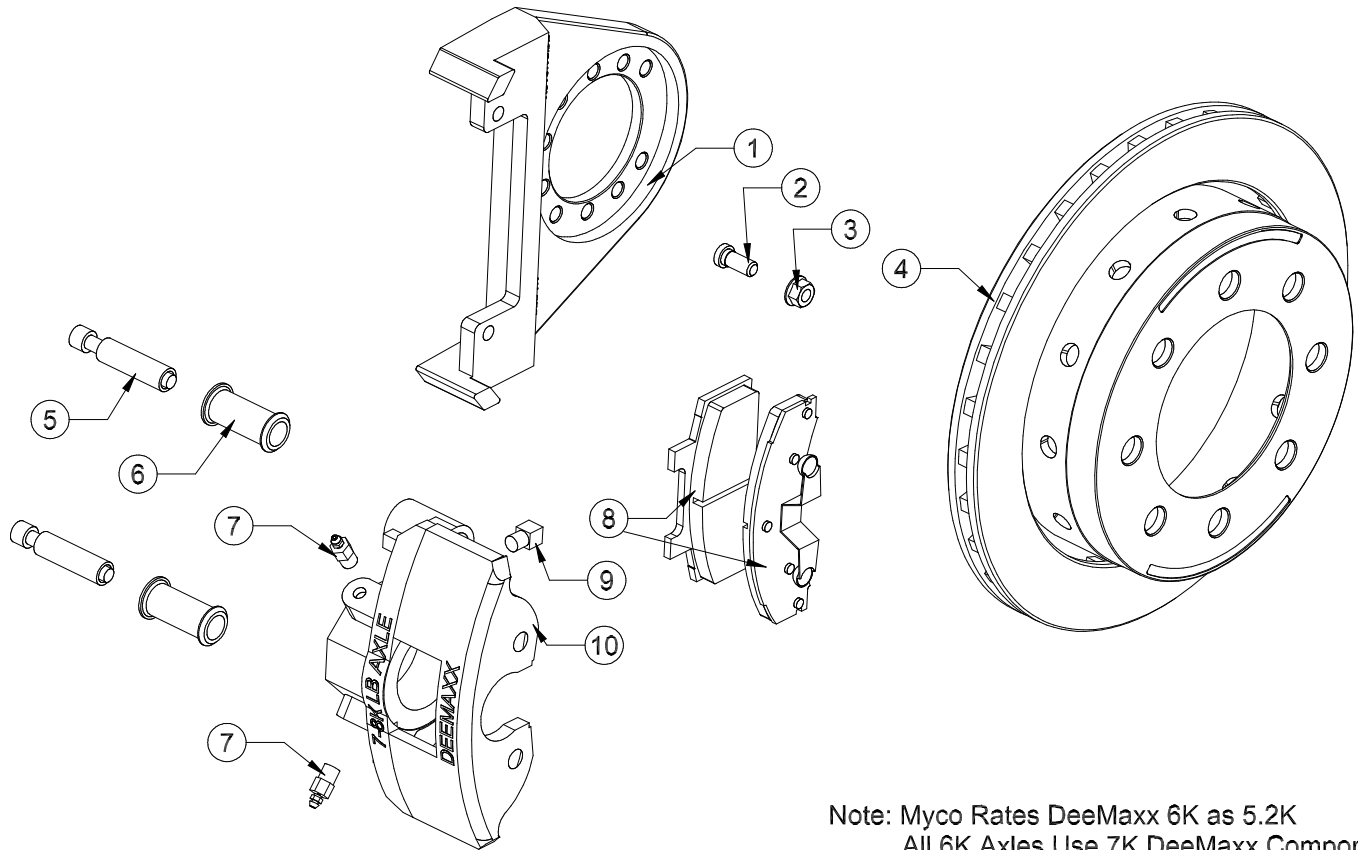


Engineered for Performance and Reliability

MYCO TRAILERS, LLC.

DeeMaxx Brake, Disc, Hydraulic,
6,000 & 7,000 lb Axle, 1/2" Stud, All Stainless Steel.



Note: Myco Rates DeeMaxx 6K as 5.2K
All 6K Axles Use 7K DeeMaxx Components

Key No.	Part Number	Quan.	Description
01	1001601	1	Bracket, mounting, caliper, 6K & 7K stainless steel.
02	3404200	5	Nut, lock, flange, 3/8-24, zinc.
03	9200100	5	Stud, drive in, 3/8-24 x 7/8" black oxide.
04	1001643	1	Rotor, 13.1" Slip Over Rotor, 8-lug, 1/2 stud, stainless steel.
05	1001460	2	Bolt, guide, 11M x 1.5 threads with sleeve guide stainless steel.
06	1001447	2	Bushing, rubber, guide.
07	1001426	2	Bleed port, brass.
08	1001474	1	Pad, friction, 2.5", ceramic with SS backing plate. Axle set.
09	1001850	1	Adapter port, 90°, 1/8 npt x 3/16 female inverted flare, brass.
10	1001681	1	Caliper, 2.5", stainless steel, loaded complete. Includes 05, 06, 07, 08, 09.