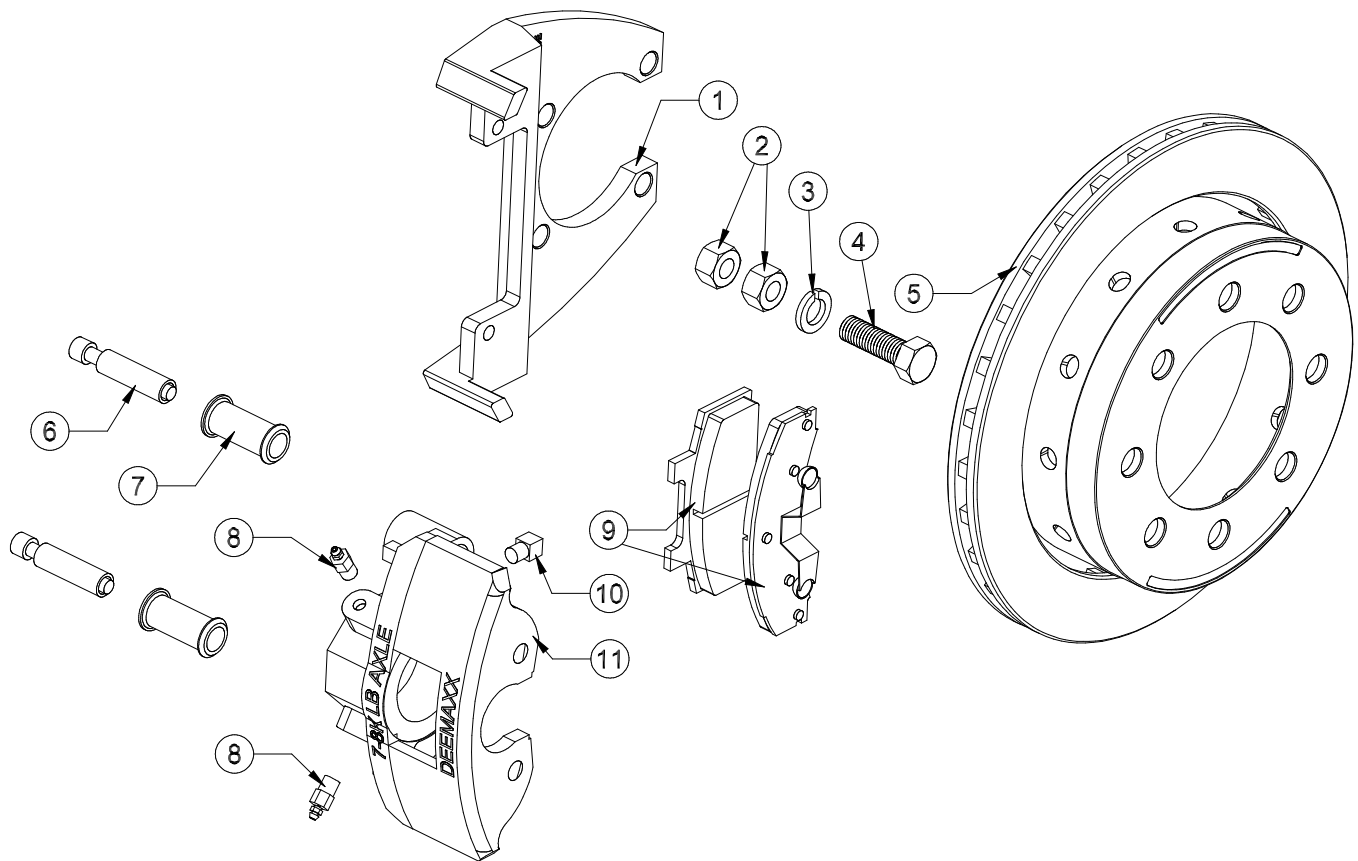


Engineered for Performance and Reliability

MYCO TRAILERS, LLC.

DeeMaxx Brake, Disc, Hydraulic, 8,000 lb Axle, Standard.



Key No.	Part Number	Quan.	Description
01	1001709	1	Bracket, mounting, caliper, 8K Dacro
02	3400640	8	Nut, hex, 9/16-12 stainless steel.
03	3602050	4	Washer, lock, 9/16" stainless steel.
04	0801390	4	Bolt, Hex, 9/16-12 x 2" stainless steel.
05	1001638	1	Rotor, 13.1" Slip Over Rotor, 8-lug, Dacro
06	1001460	2	Bolt, guide, 11M x 1.5 threads with sleeve guide stainless steel.
07	1001447	2	Bushing, rubber, guide.
08	1001426	2	Bleed port, brass.
09	1001476	1	Pad, friction, 2.5", ceramic. Axle set.
10	1001850	1	Adapter port, 90°, 1/8 npt x 3/16 female inverted flare, brass.
11	1001553	1	Caliper, 2.5", Dacro, loaded complete. Includes 06, 07, 08, 09, 10.