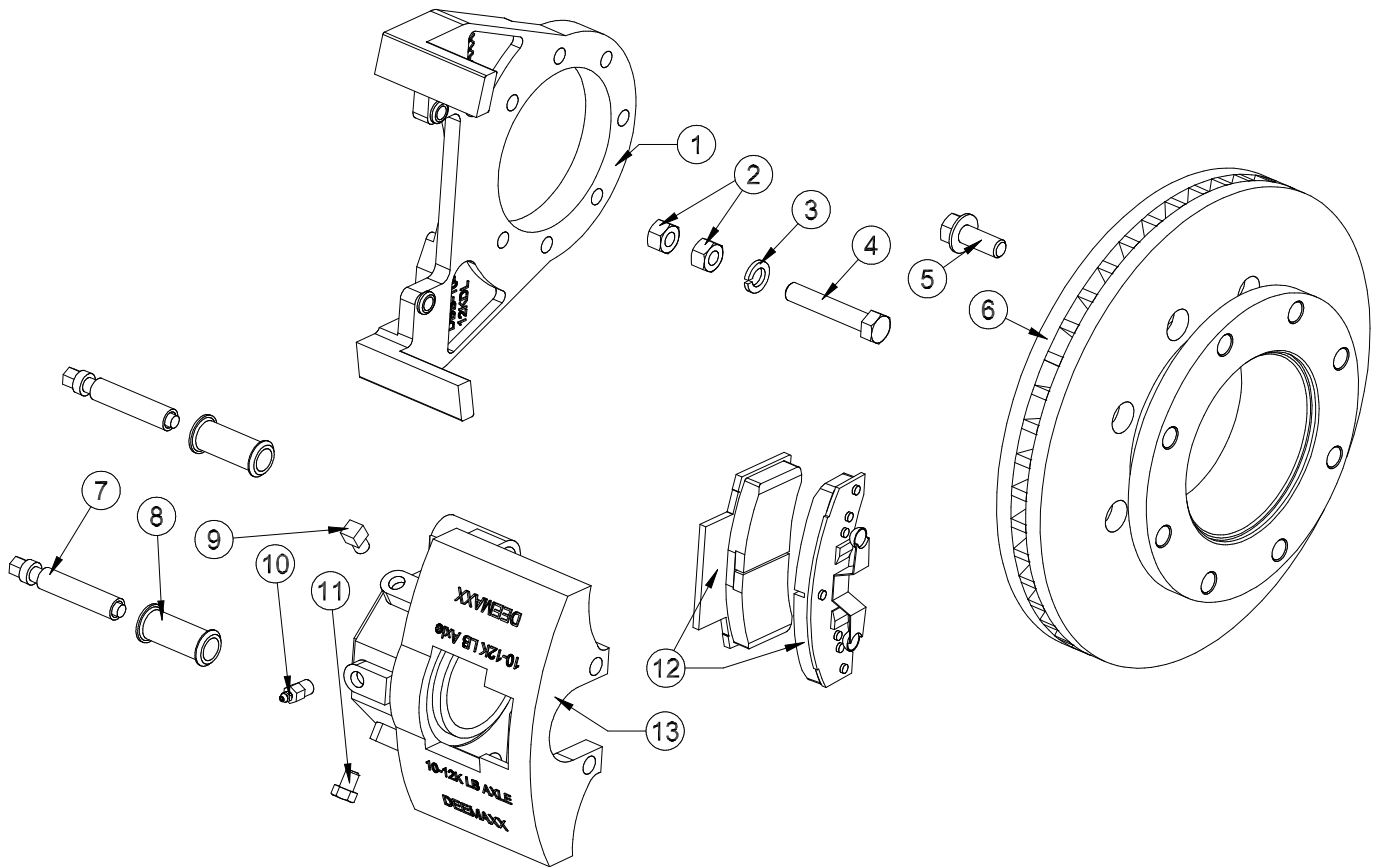


Engineered for Performance and Reliability

MYCO TRAILERS, LLC.

Deemaxx Brake, Disc, Hydraulic, 10K - 12K Axle, 1/2" Stud.



Key No.	Part Number	Quan.	Description
01	1001602	1	Bracket, mounting, caliper Dacro, 10K &12K, Fits 10K Dexter Leaf
02	3400600	14	Nut, hex, 1/2-13 stainless steel.
03	3602000	7	Washer, lock, 1/2" stainless steel.
04	0801369	7	Bolt, Hex, 1/2-13 x 2-3/4" stainless steel.
05	1001452	8	Bolt, 12 point flange, 1/2-13 x 1-1/4", zinc plated.
06	1001639	1	Rotor, 13" with spacer for Dexter Hub 865-10K &12K, Dacro
07	1001461	2	Bolt, with sleeve guide, 338 caliper, Stainless Steel
08	1001449	2	Bushing, rubber, guide, 338 caliper.
09	1001850	1	Adapter port, 90°, 1/8 npt x 3/16 female inverted flare, brass.
10	1001426	1	Bleed port, brass.
11	1001430	1	Caliper plug, brass.
12	1001464	1	Pad, friction, 338", ceramic. Axle set.
13	1001608	1	Caliper, 338, 10K-12K, Dacro loaded complete. Includes 06, 07, 08, 09, 10, 11.
Stainless Steel Caliper Set			
12	1001463	1	Pad, friction, 338", with Stainless Steel back plate. Axle set.
13	1001609	1	Caliper, 338,10K-12K, Stainless Steel, loaded complete. Includes 06, 07, 08, 09, 10, 11.